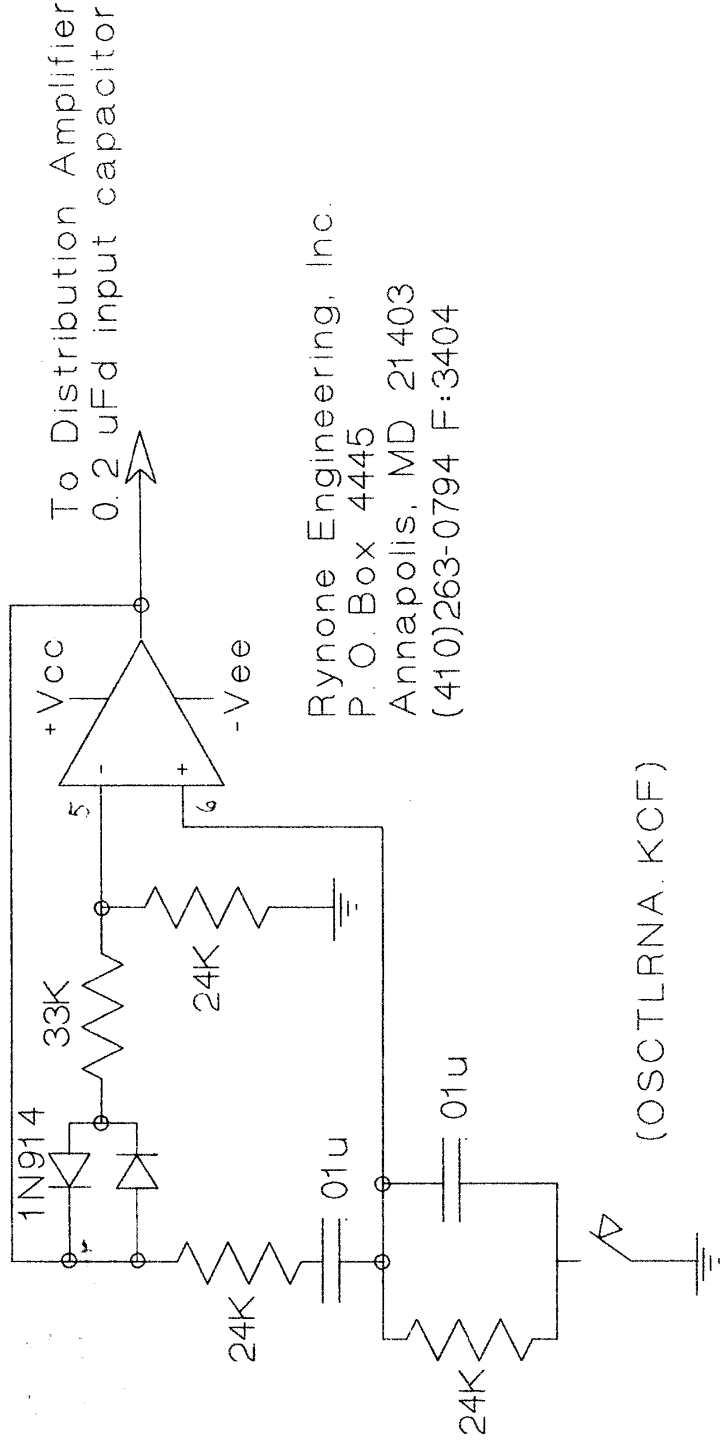


Rynone Engineering, Inc.
 P. O. Box 4445
 Annapolis, MD 21403
 (410)263-0794 F-3404

662 Hz Wein Bridge Oscillator

By the R. H. ...

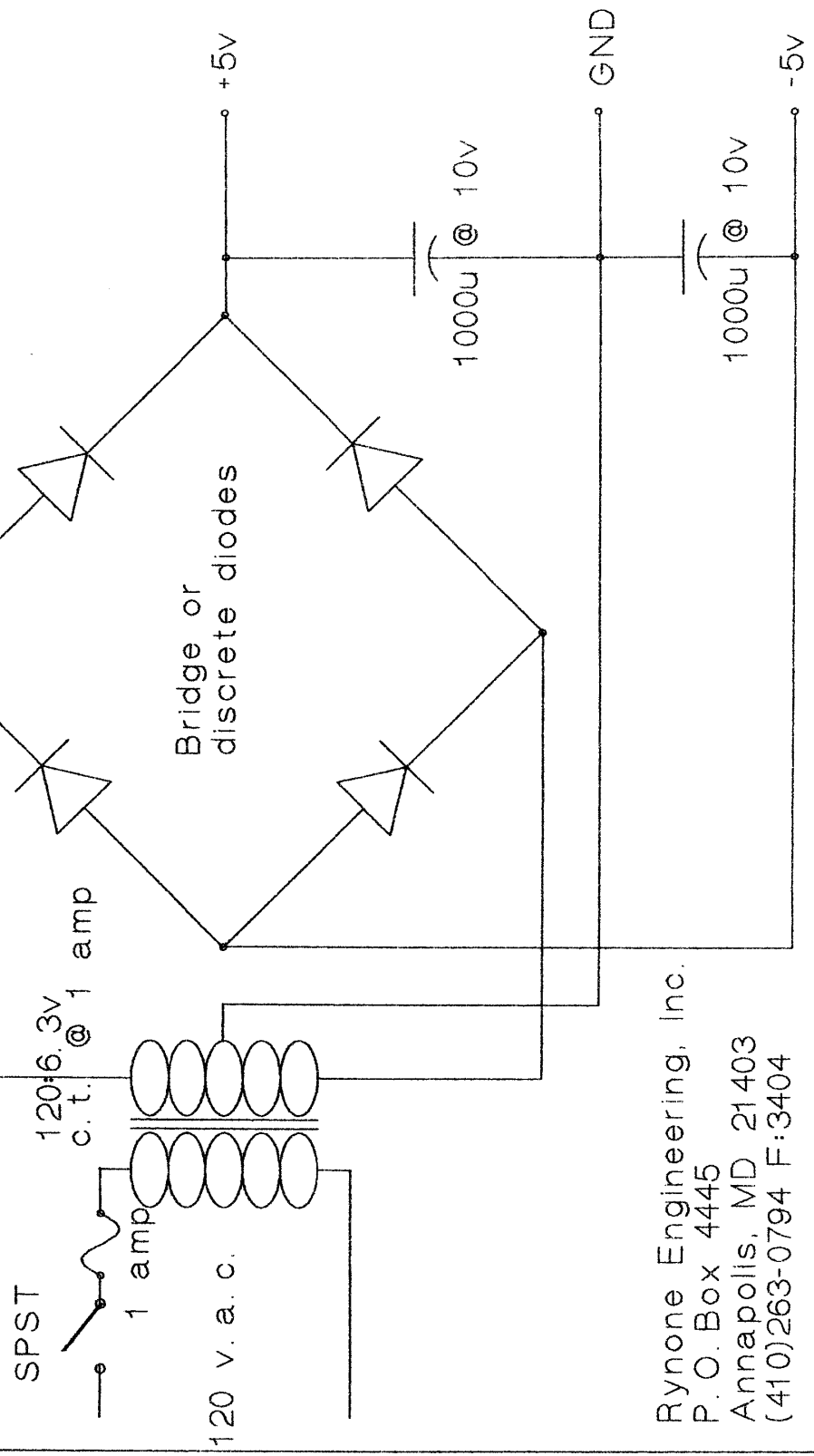


Rynone Engineering, Inc.
P. O. Box 4445
Annapolis, MD 21403
(410)263-0794 F:3404

(OSCTLRNA.KCF)

(PWR_SUP. KCF)

POWER SUPPLY
FOR
CODE PRACTICE
DISTRIBUTION AMPLIFIER



Rynone Engineering, Inc.
P. O. Box 4445
Annapolis, MD 21403
(410)263-0794 F:3404